

LED LITE™

Energy Saving LED

2D LED Lamps

Ledlite's LED 2D lamps are a safe and reliable energy saving alternative to CFL 2D lamps used in bulkhead fixtures. The new LED 2D lamps offer a direct retrofit replacement for 16W 2Pin 2D lamps operated on Magnetic ballast (LTLED2D16) and 28W 4Pin 2D lamps operated on Electronic ballast (LTLED2D28).

The replacement can be completed without any tools or costly upgrade and the LED lamps will deliver huge energy saving and reduced operating costs. They have a classic 2D shape with great light distribution and increased life compared to the compact fluorescent lamps.



LTLED2D16



LTLED2D28



SPECIFICATIONS:

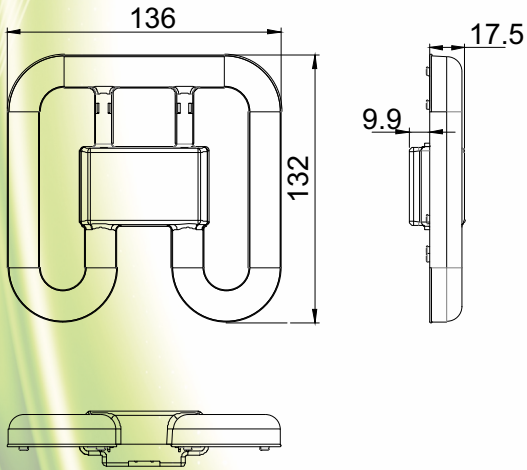
LTLED2D16

LTLED2D28

	LTLED2D16	LTLED2D28
Compatibility	Magnetic Ballast	Electronic Ballast (HF)
Power	7W	12.5W
Equivalent	16W CFL	28W CFL
Voltage	220-240 VAC / 50-60Hz	220-240 VAC / 50-60Hz
Base Type	GR8(2 Pins)	GR10q(4 Pins)
Input voltage (VAC)	220-240 VAC	220-240 VAC
Input Current	35mA	350mA
Colour Temperature	White - 3500K	White - 3500K
CRI (Ra)	>80	>80
Luminous Flux	±800 lumens	±1500 lumens
Power Factor	0.9	0.9
Beam Angle	120° x 130°	120° x 130°
Working Temp.	-10°C ~ +40°C	-10°C ~ +40°C
IP Rating	IP20 (Indoor only)	IP20 (Indoor only)
Dimmable	Non-Dimmable	Non-Dimmable

Dimensions (mm):

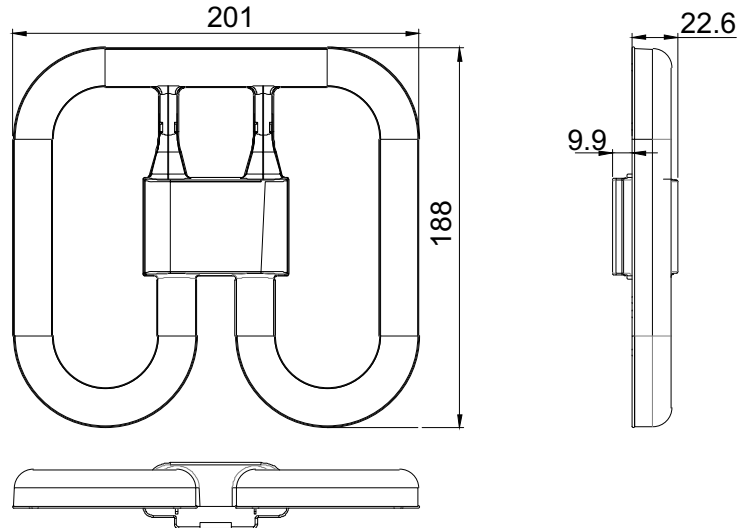
LTLED2D16



GR8



LTLED2D28

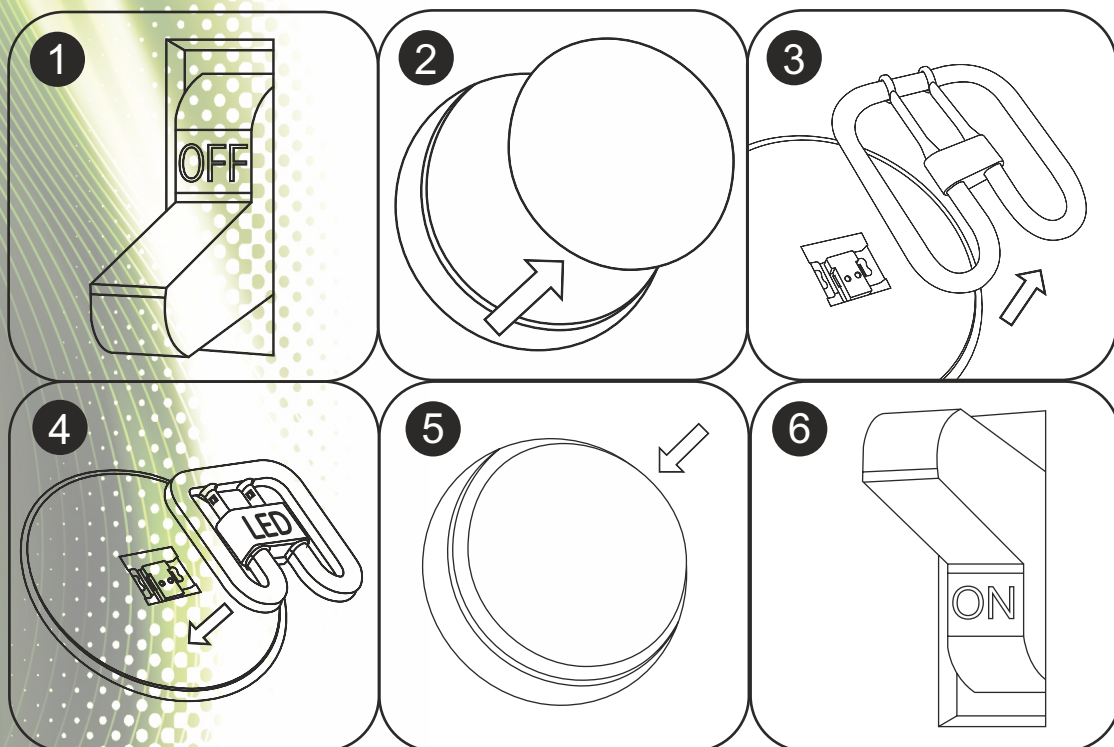


GR10q



Installation Guide:

Ledlite's LED 2D lamps are a direct retrofit replacement for 16W 2Pin 2D CFL lamps operated on Magnetic ballast (LTLED2D16) and 28W 4Pin 2D CFL lamps operated on Electronic ballast (LTLED2D28).



The 2D LED lamps are not intended to be used with dimmers and emergency light luminaires. These LED 2D lamps are not suitable for direct connection to the mains. Bypassing the original ballast will result in safety and regulation issues.